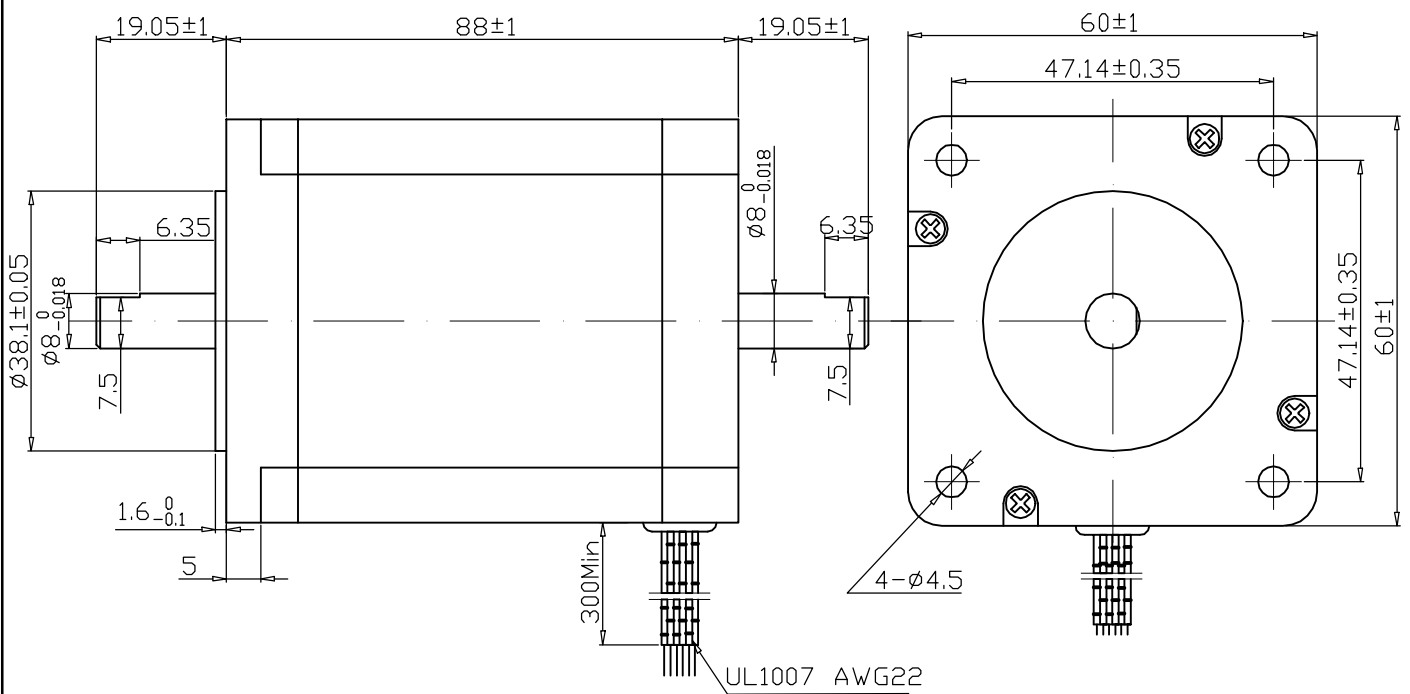


STEPPING MOTORS TYPE 60BYGH303-13

SPECIFICATIONS

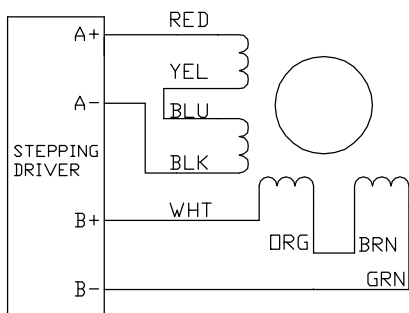
PHASE	STEP ANGLE	CONNECTION STYLE	CURRENT	RESISTANCE	INDUCTANCE	HOLDING TORQUE	CLASS OF INSULATION	WEIGHT
	DEG/STEP		A	ohms±10%	mH±20%	N.m		Kg
2	1.8	parallel	2.8	1.5	7.5	3.1	B	1.4
2		series	1.4	6.0	30	3.1		
4		unipolar	2	3.0	7.5	2.2		

DIMENSION: Units:mm

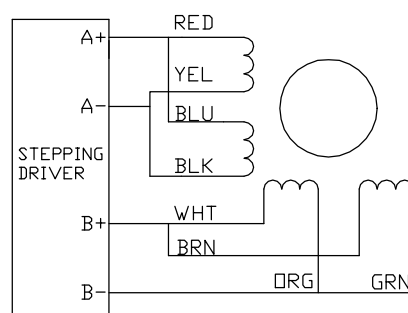


WIRING DIAGRAM

Bipolar Series



Bipolar Parallel



Unipolar

